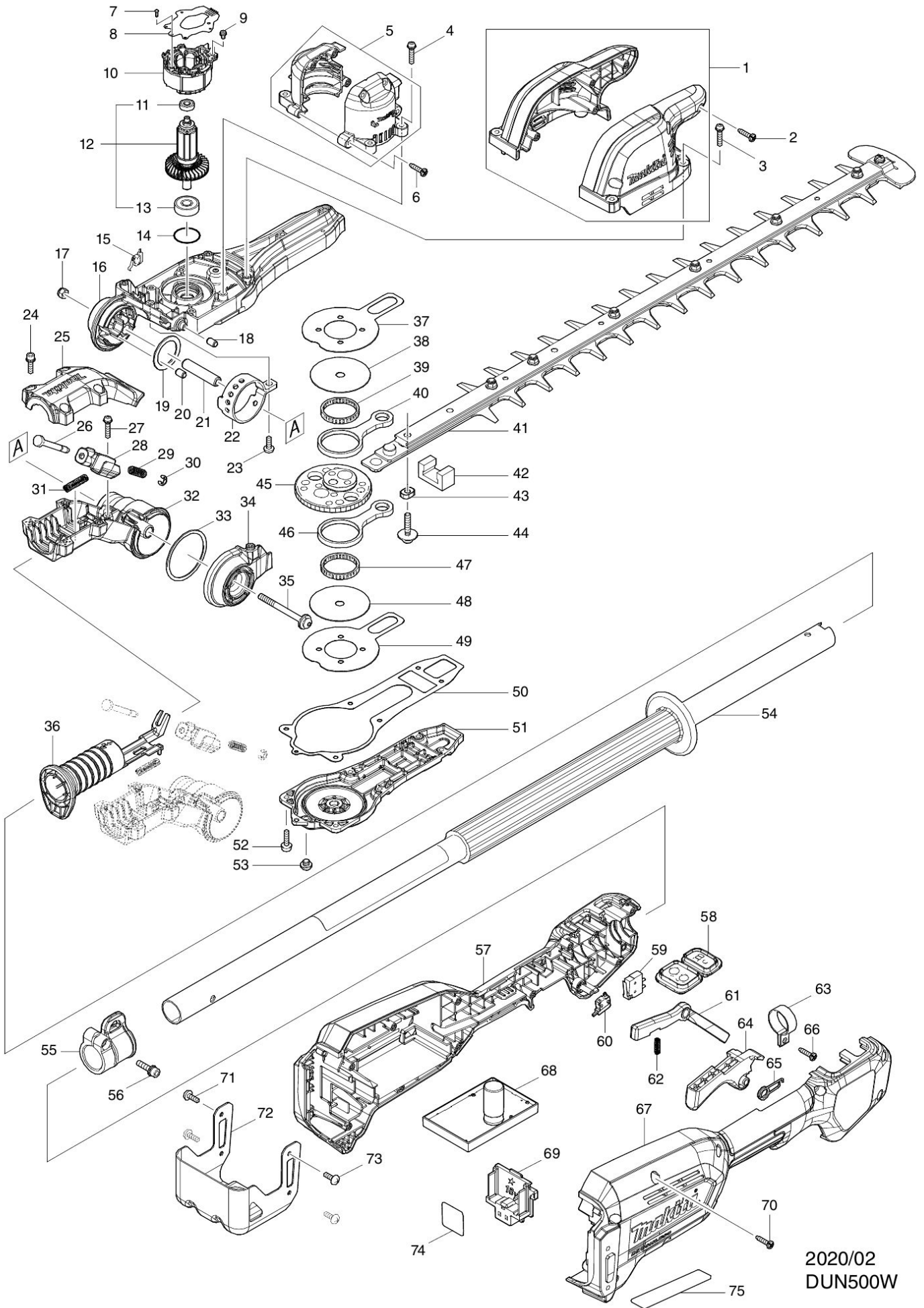


# Partdrawing for DUN500WZ - Stokheggenschaar



2020/02  
DUN500W

| Nr.    | Part nr. | Name                        |
|--------|----------|-----------------------------|
| 001    | 183N85-6 | Behuizing DUN500W           |
| 002    | 266326-2 | Tap Schroef 4X18mm P        |
| 003    | 911138-5 | Schroef 4X20 A              |
| 004    | 911138-5 | Schroef 4X20 A              |
| 005    | 183N83-0 | Motorhuis DUN500W           |
| 006    | 266326-2 | Tap Schroef 4X18mm P        |
| 007    | 266490-9 | Parker Ck 2X6Mm DDF483 P    |
| 008    | 620B02-8 | Toerenregelcircuit B DSL800 |
| 009    | 652069-6 | Kruiskop Schroef M3X6       |
| 010    | 629352-6 | Veld DUH501                 |
| 011    | 211157-4 | Kogellager 695ZZ A          |
| 012    | 519598-1 | Anker DUN500W               |
| 013    | 210005-4 | Kogellager 608Ddw A         |
| 014    | 213961-7 | O-Ring 22 Hm111Cc           |
| 015    | 632P71-1 | Schakelaar DUN500W          |
| 016    | 140R17-0 | Tandwielhuis DUN500W        |
| 017    | 252103-8 | Zeskant Borgmoer M5X8 A     |
| 018    | 263005-3 | Rubber Pen 6 AC320H P       |
| 019    | 267304-5 | Sluistring 25 Hr1830F       |
| 020    | 263005-3 | Rubber Pen 6 AC320H P       |
| 021    | 257761-5 | Bus 6mm DUN500W             |
| 022    | 347656-1 | Houder DUN500W              |
| 023    | 265487-5 | Inbusbout M5x16mm DUN500W   |
| 024    | 922128-3 | Inbusbout M4X16             |
| 025    | 319952-7 | Pijphouderkap 24 DUN500W    |
| 026    | 327514-7 | Borgpin DUN500W             |
| 027    | 911138-5 | Schroef 4X20 A              |
| 028    | 412295-7 | Borgpinhouder DUN500W       |
| 029    | 231294-8 | Drukveer 6                  |
| 030    | 961011-9 | Stopring E-4                |
| 031    | 232299-1 | Drukveer 5 Dst111           |
| 032    | 319950-1 | Pijphouder 24 DUN500W       |
| 033    | 267190-4 | Sluistring 45 DUN500W       |
| 034    | 319951-9 | Afdekkap DUN500W            |
| 035    | 265A90-8 | Inbusbout M5x60mm DUN500W   |
| 036    | 412296-5 | Schuifgreep 24 DUN500W      |
| 037    | 347361-0 | Frictieplaat DUH501         |
| 038    | 347661-8 | Plaat DUN500W               |
| 039    | 212229-8 | Naaldlager 315 DUH604S/754S |
| 040    | 347662-6 | Verbindingsbus DUH604S/754S |
| 041    | 191C14-9 | Messenset 500mm             |
| 041C10 | 197439-7 | Stokheggenschaarvet 80 g    |
| 041C20 | 345205-8 | Stootneus                   |
| 041C30 | 911208-0 | Kruiskopschroef M5X10 A     |
| 041C40 | 252311-1 | Moer M5X8 DUH501            |
| 041C50 | 257439-0 | Bus 5mm                     |

| Nr.    | Part nr. | Name                         |
|--------|----------|------------------------------|
| 041C60 | 253558-0 | Sluitring 5 EN424MP          |
| 041C70 | 265181-9 | Kruiskop Schroef M5X20Mm     |
| 042    | 443159-4 | Afdichting Eh7500S           |
| 043    | 257439-0 | Bus 5mm                      |
| 044    | 265A89-3 | Inbusbout M5x255mm DUN500W   |
| 045    | 226958-7 | Tandwiel 68 DUN500W          |
| 046    | 347662-6 | Verbindingsbus DUH604S/754S  |
| 047    | 212229-8 | Naaldlager 315 DUH604S/754S  |
| 048    | 347661-8 | Plaat DUN500W                |
| 049    | 347361-0 | Frictieplaat DUH501          |
| 050    | 422568-0 | Tandwielhuispakking DUN500W  |
| 051    | 319949-6 | Tandwielhuiskap DUN500W      |
| 052    | 922128-3 | Inbusbout M4X16              |
| 053    | 266559-9 | Zeskant bout M6x4            |
| 054    | 140R22-7 | Pijp 24 DUN500W              |
| 054C10 | 8008A7-9 | Label waarschuw DUN500W      |
| 055    | 168478-4 | Hanger Bbc231U               |
| 056    | 266787-6 | Inbusbout M5X18Mm Er2650Lh A |
| 057    | 183N92-9 | Handgreepset DUN500W         |
| 057C10 | 263005-3 | Rubber Pen 6 AC320H P        |
| 057C20 | 252126-6 | Borgmoer M4X7Mm Mt070        |
| 058    | 140R24-3 | Controller sub DUN500W       |
| 058C10 | 8008M5-7 | Label A/U DUH604S            |
| 059    | 632E26-0 | Schakelaar Dur364L           |
| 060    | 632L49-0 | Schakelaar DUC254Z           |
| 061    | 457773-0 | Deblokkeer Handel Dux60      |
| 062    | 233101-1 | Drukveer 4                   |
| 063    | 346248-3 | Buisbeugel 24 Er2650Lh       |
| 064    | 412285-0 | Schakelhendel DUN500W        |
| 065    | 233612-6 | Torsieveer 10 At-1831C       |
| 066    | 266326-2 | Tap Schroef 4X18mm P         |
| 067    | 183N92-9 | Handgreepset DUN500W         |
| 067C10 | 263005-3 | Rubber Pen 6 AC320H P        |
| 067C20 | 252126-6 | Borgmoer M4X7Mm Mt070        |
| 068    | 620C77-3 | Controller DUN500W           |
| 069    | 644809-6 | Aansluitunit Djr186 A        |
| 070    | 266326-2 | Tap Schroef 4X18mm P         |
| 071    | 251314-2 | Schroef M4X12                |
| 072    | 347655-3 | Batterijkap DUN500W          |
| 073    | 251314-2 | Schroef M4X12                |
| 074    | 856T84-4 | Label serienr DUN500W        |
| 075    | 856T79-7 | Naamplaat DUN500W            |